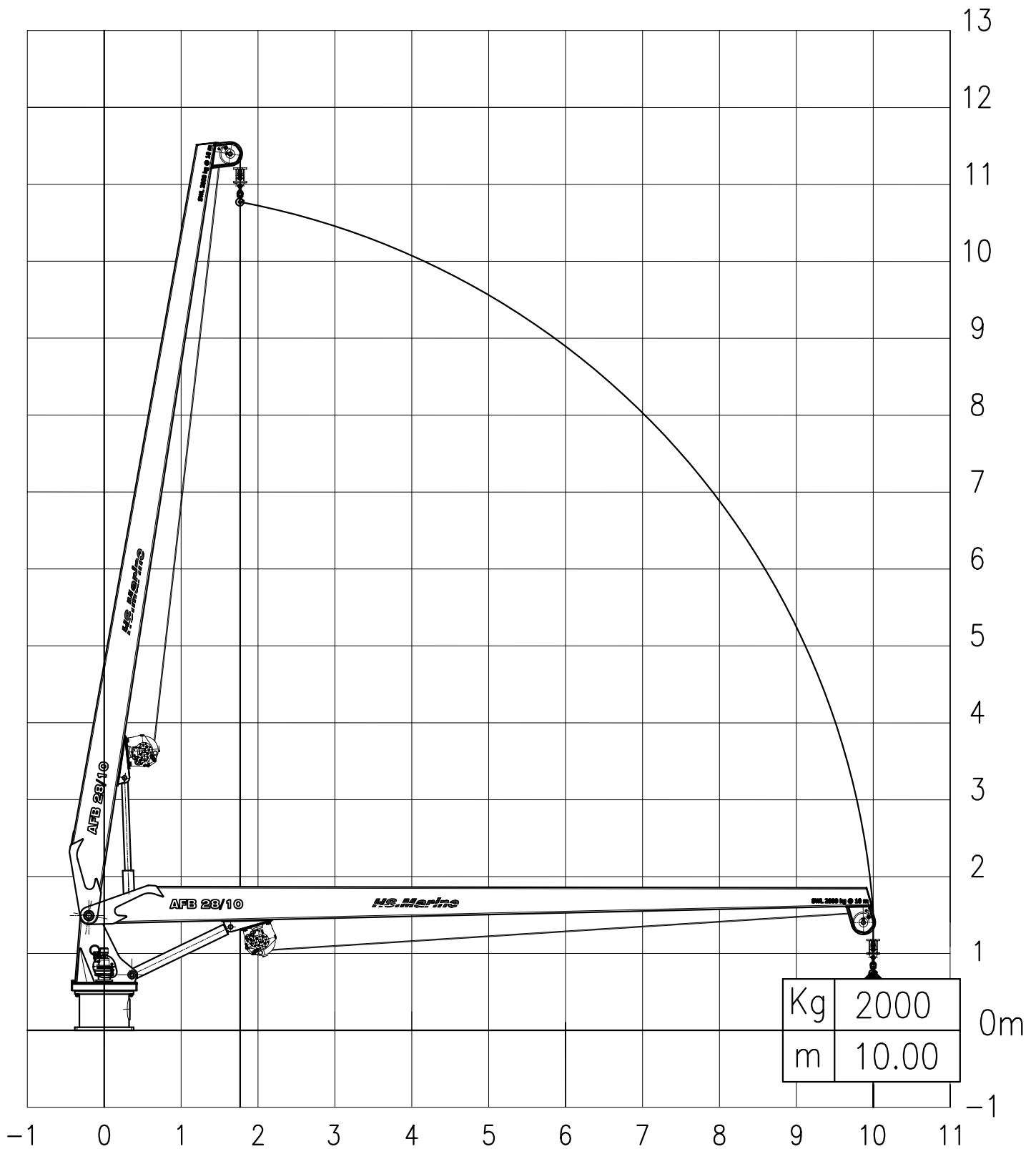


WORKING DIAGRAM WITH WINCH
 (Max.permitted heel/trim 5°/2°)



Marine Crane type AFB 28/10